

# Memory Card Replacement Instructions

Follow the instructions in this sheet carefully. Failure to follow these instructions could damage your equipment and void its warranty.

**Note:** Written and video instructions covering customer-installable parts are available at <http://www.info.apple.com/installparts/>.

**Warning:** During this procedure, keep small parts away from children.

## Tools Required

The only tool required for this procedure is a jeweler's flat-blade screwdriver (if keyboard is locked).

## Opening the Computer

**Warning:** Always shut down your computer before opening it to avoid damaging its internal components or causing injury. After you shut down the computer, the internal components can be very hot. Let the computer cool down before continuing.

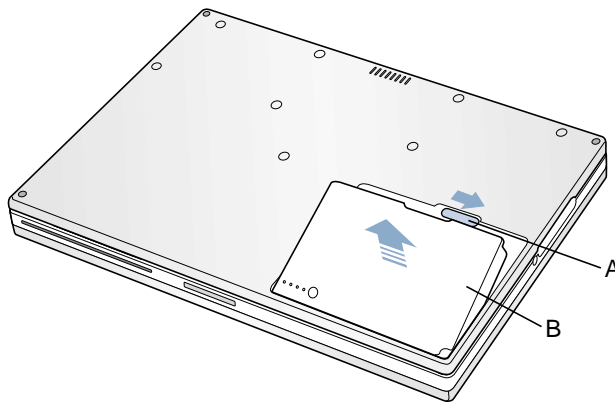
1. Place your computer on a clean, flat surface.
2. Shut down your computer and wait thirty minutes before continuing.
3. Disconnect the power cord and any other cables connected to the computer.

4. Close the computer and turn it over.
5. Slide the battery latch (**Figure 1A**) to the right to remove the battery (**Figure 1B**).

Removing the battery will prevent you from accidentally turning on the computer.

**Warning: Removing the battery before shutting down your computer may result in data loss.**

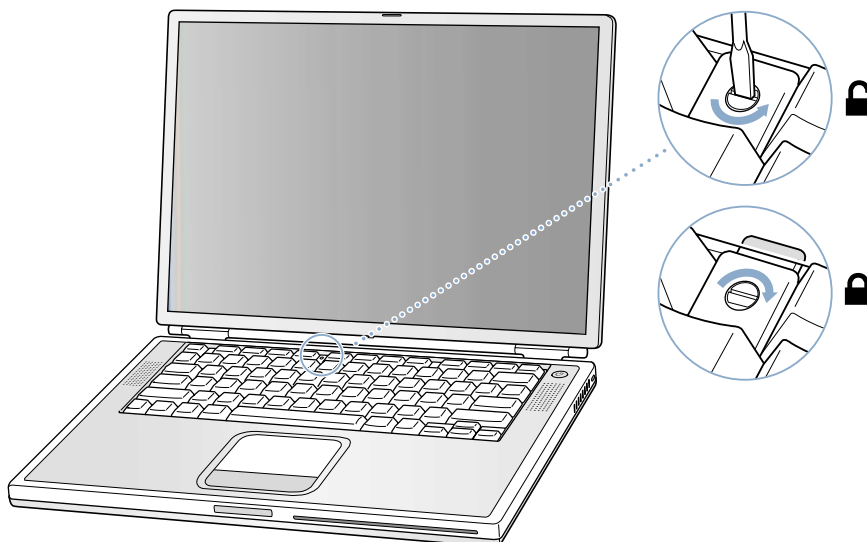
**Figure 1**



6. Turn over the computer.
7. Raise the display so you can access the keyboard.
8. Make sure the keyboard locking screw, located in the small plastic tab to the left of the Num Lock key (**Figure 2**), is not in the locked position. Your PowerBook comes with the keyboard unlocked, so unless you or someone else locked the keyboard, you can skip this step.

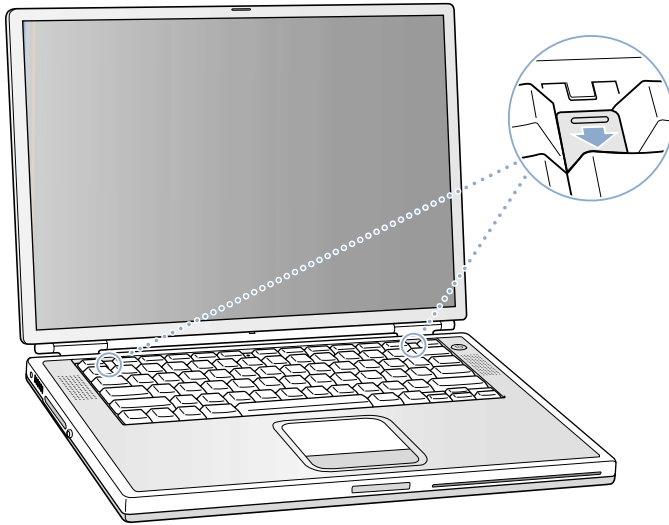
To unlock the keyboard, turn the screw 1/2 turn.

**Figure 2**



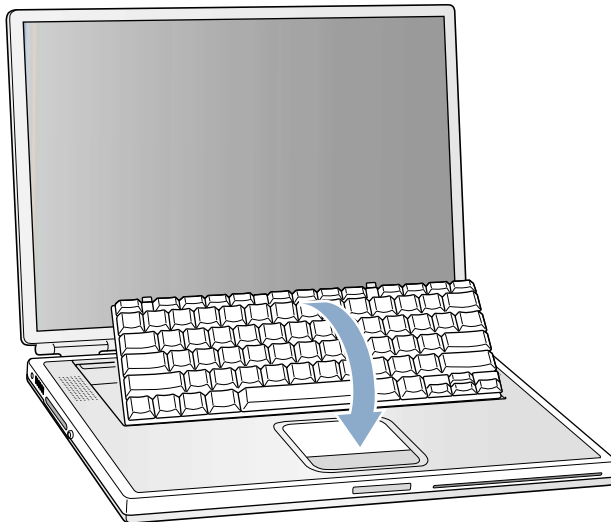
9. Release the keyboard by pulling down on the keyboard release tabs (located to the left of the F1 and F12 keys) **(Figure 3)**, then lift the top portion of the keyboard up slightly, and toward the display.

**Figure 3**



10. Flip the keyboard over and lay it on the palm rests and trackpad. **(Figure 4)**

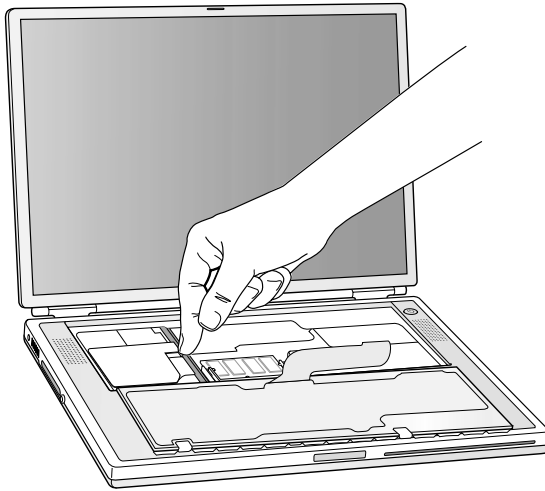
**Figure 4**



11. Touch the computer's inside framework (a dull gray conductive composite material) to discharge any static electricity, as shown **(Figure 5)**.

**Important:** To avoid electrostatic discharge damage, always ground yourself by touching the computer's framework before you touch any parts or install any components inside the computer. To avoid static electricity building back up in your body, do not walk around the room until you have completed your installation and closed the computer.

**Figure 5**

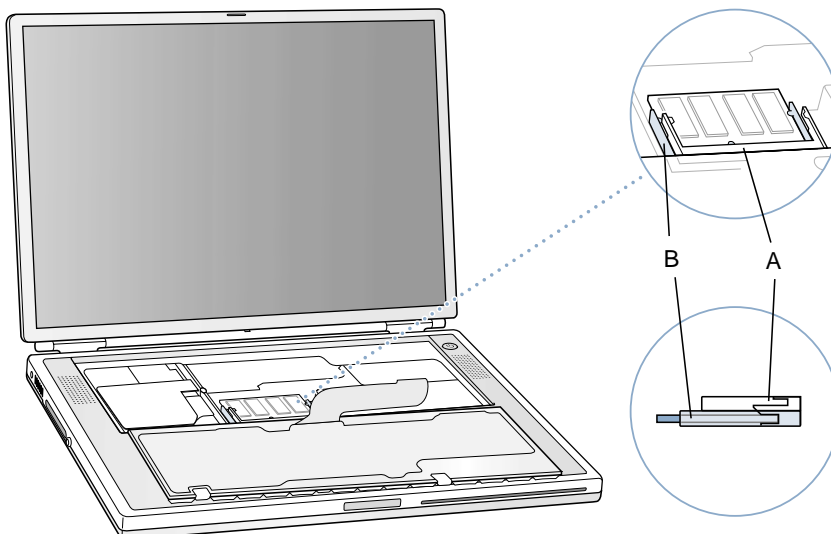


## Removing the Installed Memory Card

1. To remove a memory card, locate the brackets that secure the card on both sides **(Figure 6)**. Carefully spread the brackets apart until the card releases on each side. Pull the card up and out.

**Note:** If there is a memory card in the upper memory slot **(Figure 6A)**, it must be removed before removing a card in the lower slot **(Figure 6B)**.

**Figure 6**



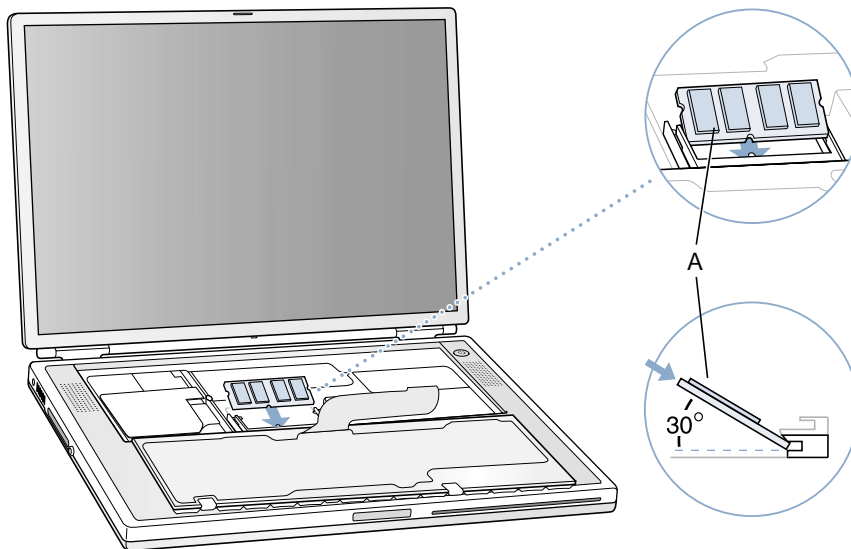
## Installing the Replacement Memory Card

**Warning:** When handling a memory card, do not touch its gold connectors. Handle the card only by the edges.

1. To install the memory card, line up the notch in the card with the small tab in the memory slot. Hold the card at a 30-degree angle (**Figure 7A**), and then push the card into the slot until it is firmly seated.

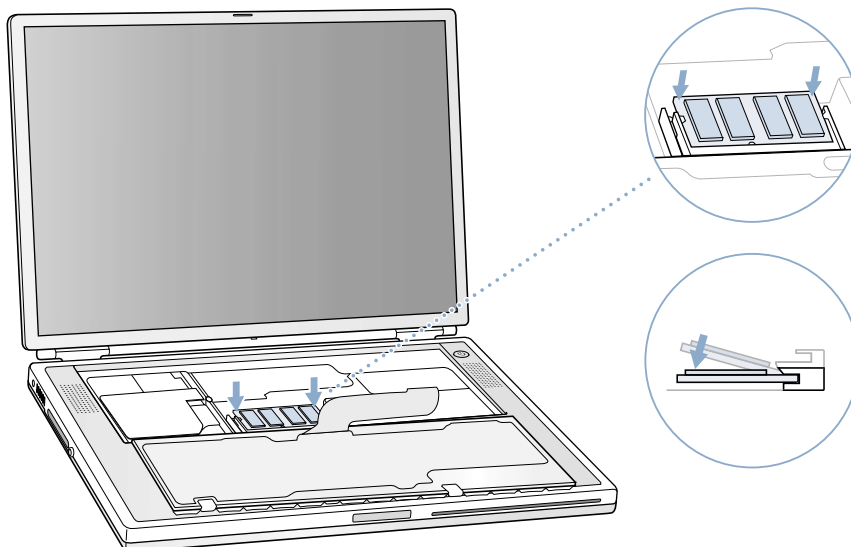
**Note:** You may feel some resistance. If you are having trouble inserting the card, try pushing one side at a time.

**Figure 7**



2. Gently push the card down until the two brackets on either side of the card lock into place (**Figure 8**).

**Figure 8**



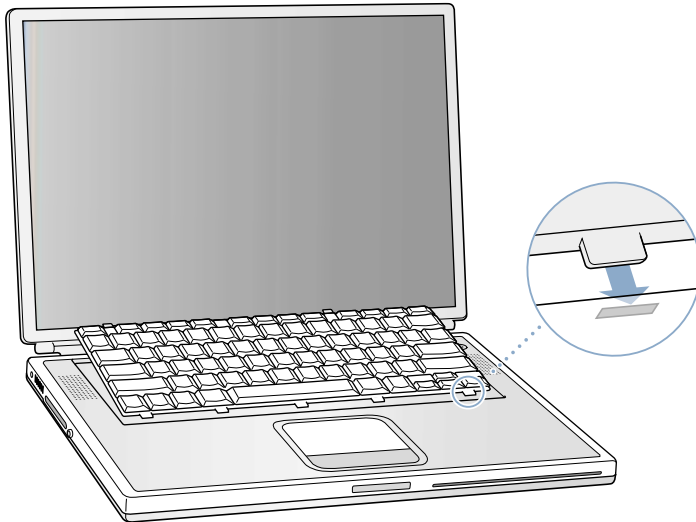
---

## Closing the Computer

1. Flip the keyboard back toward the keyboard opening in the case.
2. Hold the keyboard at an angle above the keyboard opening, and insert the tabs on the bottom edge of the keyboard into the slots below the edge of the opening. **(Figure 9)**

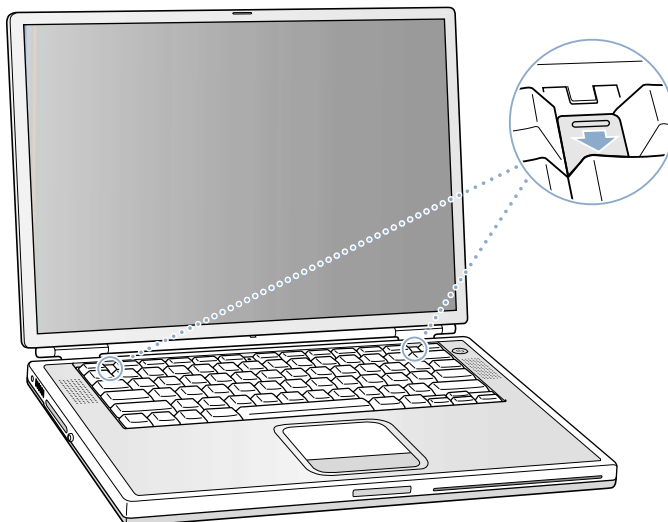
**Important:** Make sure that all the tabs are seated and that the keyboard rests flush against the edge of the opening.

**Figure 9**



3. Lay the keyboard flat into the keyboard opening.
4. Pull down on the keyboard release tabs and then press down on the top portion of the keyboard. **(Figure 10)**

**Figure 10**

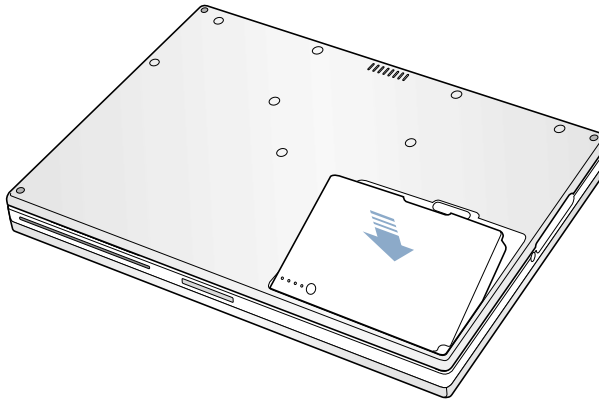


5. Release the tabs to secure the keyboard in place.

6. Close the display and turn the PowerBook over.
7. Replace the battery into the battery compartment. **(Figure 11)**

**Important:** Make sure that the battery locks securely into place and that the battery latch is slid all the way into the locked position.

**Figure 11**



8. Reconnect the power cord and any other cables that were connected, and restart your computer.

**Warning:** Never turn on your computer unless all of its internal and external parts are in place and it is closed. Operating the computer when it is open or missing parts can damage your computer or cause injury.

**Apple Computer, Inc.**

© 2001 Apple Computer, Inc. All rights reserved.

Under the copyright laws, this document may not be copied, in whole or in part, without the written consent of Apple.

The Apple logo is a trademark of Apple Computer, Inc., registered in the U.S. and other countries. Use of the “keyboard” Apple logo (Option-Shift-K) for commercial purposes without the prior written consent of Apple may constitute trademark infringement and unfair competition in violation of federal and state laws.

Every effort has been made to ensure that the information in this document is accurate. Apple is not responsible for printing or clerical errors.

Apple Computer, Inc.  
1 Infinite Loop  
Cupertino, CA 95014-2084  
USA  
+ 1 408 996 1010  
<http://www.apple.com>

Apple, the Apple logo, and PowerBook are trademarks of Apple Computer, Inc., registered in the U.S. and other countries.